

Model: LXDG-13C-20C

## Single Jet Water Meter

### Feature:

- Single jet, Dry-dial
- Material body: Nylon plastic
- Size: DN15 to DN20mm, (1/2"-3/4")
- Available for cold water (50°C)
- Accuracy: Class C / R160

### Main Technical Data:

According to IS04064(GB/T778.1-1996) Standard

Size		Class	Qs	Qp	Qt	Qmin	Min	Max
DN(mm)	Inch		Overload Flow	Nominal Flow	Transitional Flow	Min Flow	Reading	Reading
			m <sup>3</sup> /h		L/h		m <sup>3</sup>	
15	1/2"	C	3	1.5	22.5	15	0.0001	99999
20	3/4"	C	5	2.5	37.5	25	0.0001	99999

According to IS04064(GB/T778.1-2007) Standard

DN Size	Mm Inch	15 1/2"	20 3/4"
Q4(m <sup>3</sup> /h)		3.125	5
Q3(m <sup>3</sup> /h)		2.5	4
R160	Q2(L/h)	25	40
	Q1(L/h)	15.625	25
Min reading(m <sup>3</sup> )		0.0001	0.0001
Max reading(m <sup>3</sup> )		99999	99999
Max pressure(MAP)		16	16
Max loss(Δ P)		63	63
Max temperature		T50	T50

### INDICATING ERROR

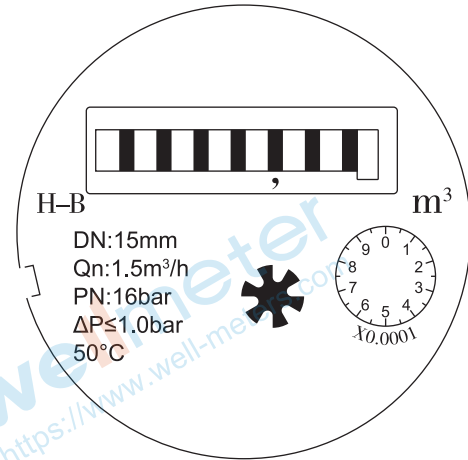
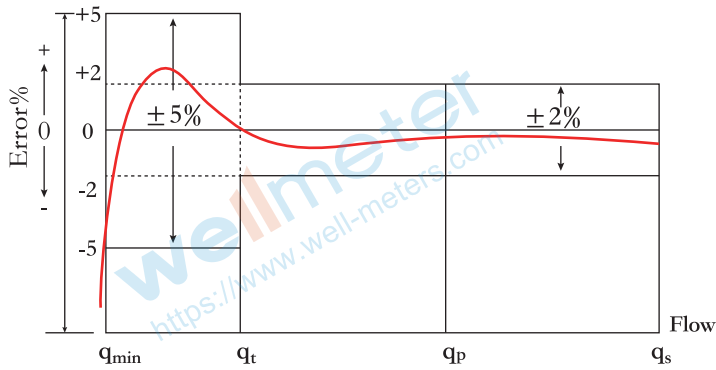
At low zone is ±5% from minimum flow rate (qmin) to transitional flow rate (qt) exclusive boundary

At high zone is ±2% from transitional flow rate (qt) to overload flow rate (qs)

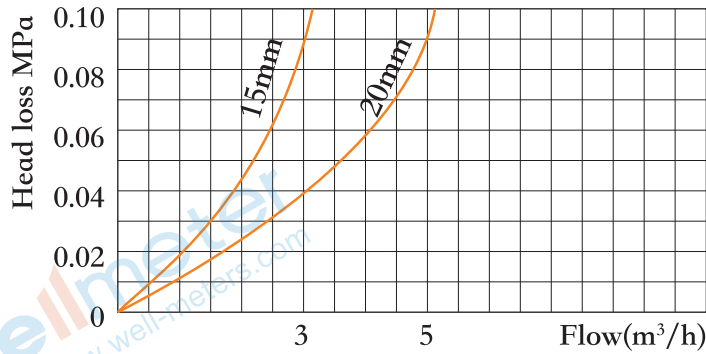


# Model: LXDG-13C-20C

## Error Curve:

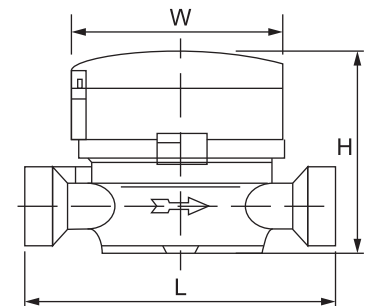


## Head Loss Curve:



## Dimensions and Weight:

Meter Size Dia DN	L Length	W Width	H Height	Connecting Thread D	Weight Kg
(mm)	(mm)				
15	110	77	80	G 3/4B	0.35
20	130	77	80	G 1B	0.45



## WORKING CONDITION:

Water temperature:  $\leq 50^\circ C$  for cold water meter  
Working pressure:  $\leq 1.6Mpa$